

# FREE TEAM PRACTICE

League and Regional Teams Welcome



Tuesdays from 5PM to 6PM

With purchase of 2 or 4 hour Fire, Til You Tire



LASER STORM PITTSBURGH  
 7715 MCKNIGHT ROAD  
 PITTSBURGH, PA 15237  
 Phone: 412-364-3473  
[www.lasersstorm.org](http://www.lasersstorm.org)

PRSR STD  
 US POSTAGE  
 PAID  
 PITTSBURGH PA  
 PERMIT NO 4834

October 2005 - Issue # 33

# STORM INFORMER

The Quarterly Laser Storm Membership Newsletter

## WHAT'S GOING ON?

The biggest news at LSP this fall is the 10th annual National Championship, to be held HERE in Pittsburgh next July. It's been 7 years since it was here in the 'Burgh. Dozens of players have come and gone, some are still here. It promises to be very exciting.

For those of you who missed your opportunity to sign up for fall leagues, there's always the "alternate list". It is essentially a list of players who we can choose from in the event a player drops out of leagues. Ask about it at the front counter!

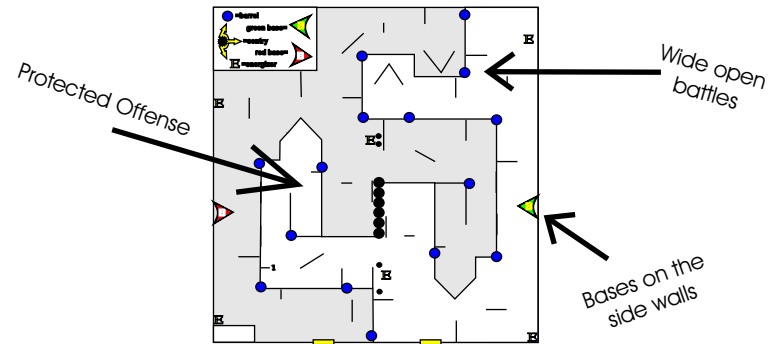
If you are a new member and you are wondering when is the best time to come, try Friday and Saturday nights. The Midnight Madness special from 10 pm to 12 am brings out a lot of people. Not only is it good practice, but a great way to meet new friends.

Good news for Soul Calibur fans. We will be having a Soul Calibur 2 tournament in the next month or so. Everyone had better start practicing. Some of the guys that play are almost unbeatable. Or are they?

On Labor Day most of the staff and several members came down and helped change the arena configuration. Thanks to *Ebay*, *Pancakes*, *Llama*, *Masl*, *Talon*, and all the staff that was here to help put it all up.

## NEW ARENA

We've done it again! Just as you got used to the arena setup we just HAD to go and move it all around! The only way for you to know what it looks like beyond the map below is to come down and check it out for yourself.



## COUPON

Get your



**Packed Full Of Discounts**

Present this Coupon to Receive your Storm Card  
 Current membership status required

# NATIONAL CHAMPIONSHIP - TORRANCE, CA 2005

Just about 10 minutes south of the Los Angeles International Airport lies Torrance, a smaller, relatively low-key town compared to the rest of L.A. Their Laser Storm is in a large plaza shared by one of the biggest bowling alleys we've ever seen. Stepping out of the van we noticed the strange contrast of the very intense sunlight combined with the gracefully cool breeze. The wind blows almost constantly after about 1 pm, bringing this chill air from off the ocean which was just right over the hill. Pretty nice for after a hard laser tag game to come outside and be blasted by this wind.

The lobby was extremely long and narrow, with video games in a long row down the right-hand side. Doors to party rooms on the left. At the end of this narrow entry was their front counter, and

behind that the entrances to their ready rooms. The California store has two arenas of almost equal size, independently controlled. The arena had the same kind of barriers as our own, but had ceiling pods (the kind you have to be directly under and fire up at). Also this tournament was to be played on the older 3.1 system (LSP has 5.3).

Sunday was the first day everyone got together for a large captains meeting and everyone cast votes on the arena design. Bill Rave Fox's map received the most votes. Nice to see everyone would rather play an arena designed by someone from Pittsburgh.

The Top Gun segment took almost the entire next day. A surprising turn of events led to *Spike*, from Colorado, taking the 1st place title. *Little House*, a girl from California, took 2nd, and a newcomer

*Havok*, also from California, took 3rd.

In the next few days many teams would find their positions and learn to work together more efficiently in preparation for the final day. During the round robin our team "*Pittsburgh Plane Crash*" managed to defeat one of the oldest veteran teams, "*Black Ice*" from Colorado. Very interesting indeed.

For the final day we got to go up against our biggest rivals, "*Oblivion*" from Ohio, in our first game. Massive equipment failure led to us losing by 40 and an agreement on a replay, where we only lost by 2 (TWO!) points. This tournament had more unnecessary replays than ever before because of that decision.

Ohio and Wisconsin/Michigan had 3 games against each other due to replays, and Colorado had 4 games against Wisconsin/Michigan because they tied 3

times! Florida's team "*Orange Bang*" came in, mopped up everyone, and took first for the second year in a row. Wisconsin/Michigan's team "*WTF*" took 2nd by finally defeating Colorado's "*Black Ice*", who took 3rd. "*Oblivion*" from Ohio in at 4th and we came in 5th. Not bad considering our close 10 point game against "WTF" and the 2 point game against "Oblivion". Our hastily assembled team did much better than we thought we would!

Now with the Tenth Annual National Tournament coming HERE to Pittsburgh in July 2006, we'll have a chance to let them see how good our real teams are on our own system. Not many players are able to stand against Pittsburgh on 5.3. We'll all know soon enough. Get your team together and start practicing as soon as possible!

**FREE Practice Time  
(details below)**

## UPCOMING EVENTS

### REGIONAL TOURNAMENT!!

AT JESTER'S COURT IN WARREN OHIO  
SAT. NIGHT, OCT 15TH @ MIDNIGHT  
\$20 REGISTRATION FEE

### NATIONAL TOURNAMENT!!

IN PITTSBURGH, JULY 2006!  
TEAMS FROM ALL OVER THE U.S.  
A FULL WEEK OF LASER TAG

### SOUL CALIBUR TOURNAMENT - WIN CASH!!

TUESDAY, OCTOBER 11TH @ 5 P.M.  
\$10 ENTRY FEE, YOU WILL NEED TOKENS!  
SIGN UP SHEET AVAILABLE AT THE FRONT COUNTER

FOR INFO ON ANY OF THESE EVENTS, CALL 412-364-3473

## LEAGUES

Our leagues have started up once again. This will be our 25th season! All teams have been randomly drawn just like last time. Now we only have to wait and see if they are as balanced as last season. Several new players, along with returning veteran players ought to make this very exciting.

Remember, all league teams can practice for free on Tuesday from 5PM to 6PM with the purchase of a 2 or 4 hour Fire 'Til You Tire. Get you team together and start practicing.

#### Whack Pappy

Red Dog  
Dom inator  
Rave  
Llama  
Froggy  
Necros

#### Team Junk

Centipede  
Miza  
Dancer  
Masl  
Amazon Princess  
Robman

#### Code 12

Zalgax  
Kirby  
Nomad  
eBay  
Gohan  
Ihop

#### Sunflower Babies

Phoenix  
Flint  
Flash  
Cloud  
Icy  
The Lorelei